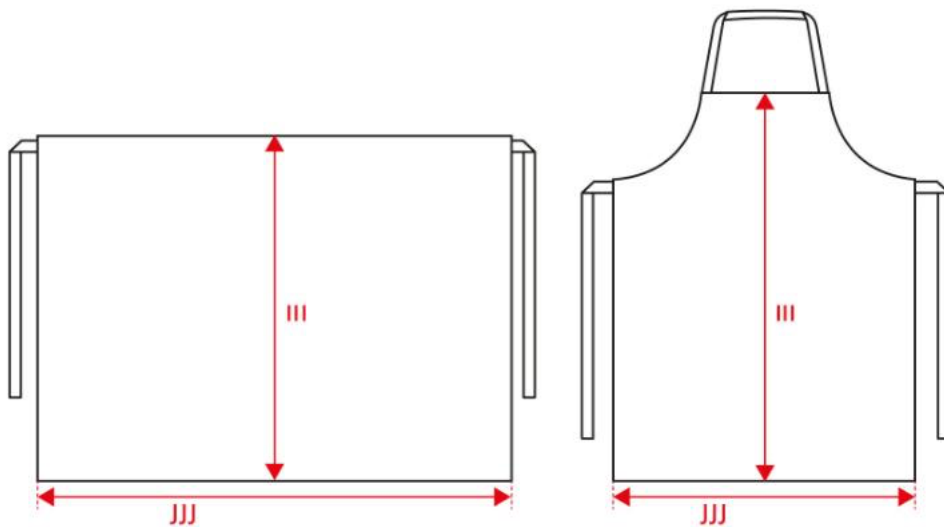


NO. 0074 **Serving apron**



Description (measured in cm)	One size
III: Height	80
JJJ: Bottom width	110

How to measure



Tolerance +/- in cm

III	JJJ
1.5	1.5

The measurements in a product measurement chart refer to measurements made directly on the clothing. Lay the garment out flat on an even surface without stretching it. Take the measurements as shown by the arrows and select the size that fits. Use a tape measure for the best results. The tolerances in the measurement chart are based on when the item is received from ID® and not